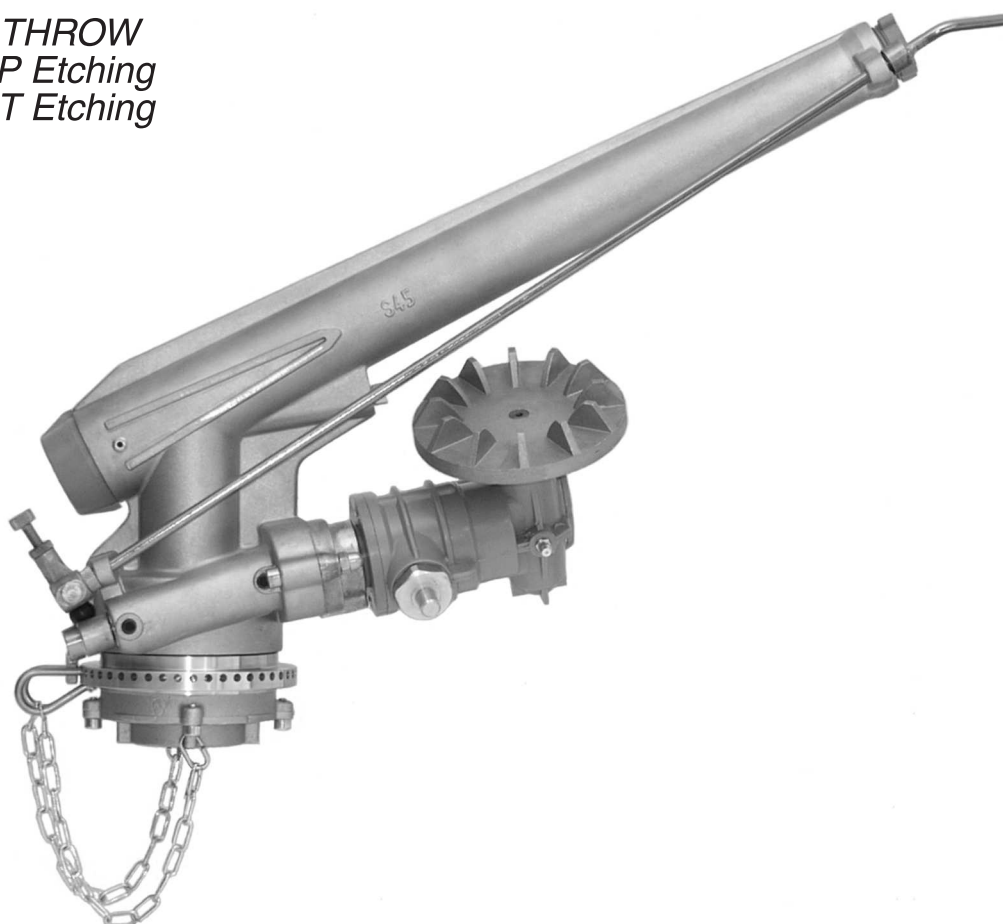


## S45

A MEDIA GITTATA  
Attacco 1" 1/2 BSP  
Attacco 1" 1/2 NPT

*MEDIUM THROW*  
*1" 1/2 BSP Etching*  
*1" 1/2 NPT Etching*



Boccaglio Nozzle Ø mm	Pressione Pressure atm.	Portata Discharge l/min	Gittata Length of jet m
10	1,5 - 2,0 - 2,5	80 - 93 - 104	18 - 21 - 23
12	2,0 - 3,0 - 4,0	134 - 164 - 190	24 - 28 - 31
14	2,0 - 3,0 - 4,0	183 - 224 - 258	26 - 31 - 34
16	3,0 - 4,0 - 5,0	292 - 337 - 377	32 - 36 - 38
18	3,0 - 4,0 - 5,0	370 - 427 - 477	34 - 37 - 41
20	3,0 - 4,0 - 5,0	456 - 527 - 590	36 - 41 - 45

I dati tecnici sono orientativi e non impegnativi  
*The technical characteristics are indicative and not binding*