

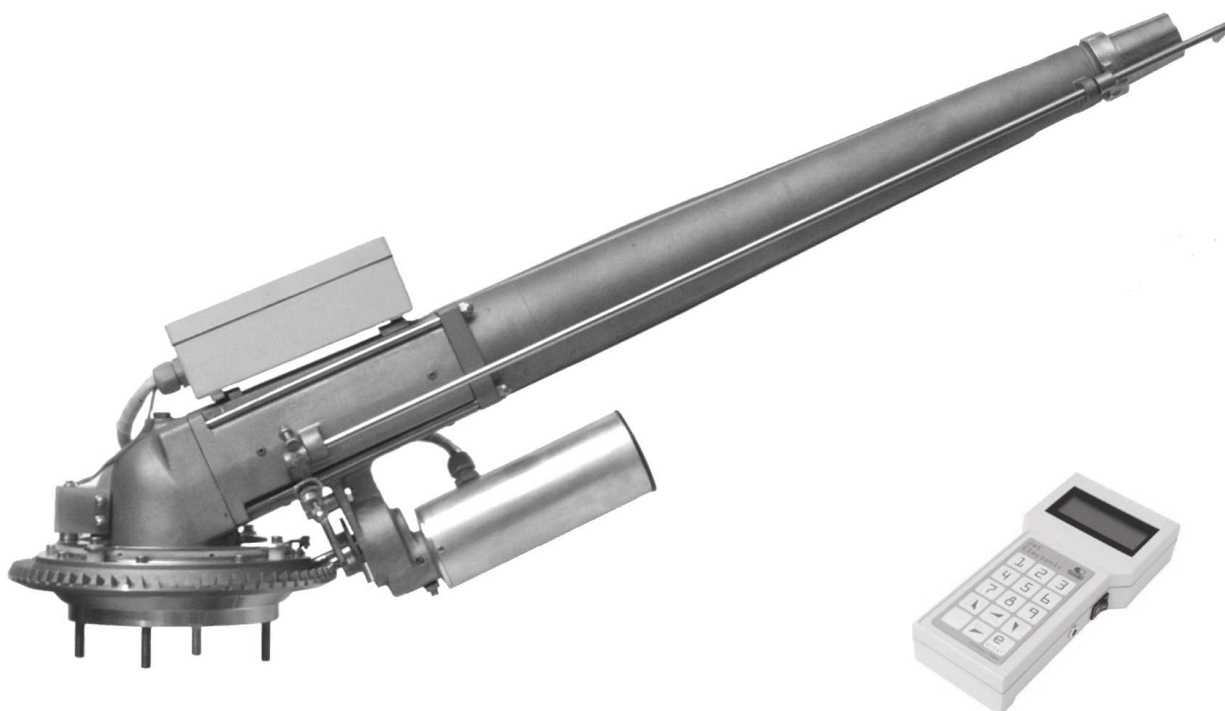
# JET 100 ELECTRONIC

A LUNGHISSIMA GITTATA

Attacco a flangia

VERY LONG THROW

Flange connection



Attacco a flangia Nr. 4  
prigionieri M10 su diametro  
166 mm.

Flange connector No. 4 clams M10  
on diameter 166 mm. 166 mm.

Boccaglio Nozzle Ø mm	Pressione Pressure atm.	Portata Discharge l/min	Gittata Lenght of jet m
30	5,0 - 5,5 - 6,0	1254 - 1315 - 1373	56 - 58 - 60
32	6,0 - 6,5 - 7,0	1562 - 1647 - 1686	62 - 64 - 66
34	6,0 - 6,5 - 7,0	1704 - 1840 - 1907	64 - 65 - 68
36	7,0 - 8,0 - 9,0	2141 - 2289 - 2428	70 - 74 - 77
38	7,0 - 8,0 - 9,0	2390 - 2555 - 2710	71 - 75 - 78
40	8,0 - 9,0 - 10,0	2834 - 3006 - 3171	77 - 81 - 83

I dati tecnici sono orientativi e non impegnativi  
The technical characteristics are indicative and not binding