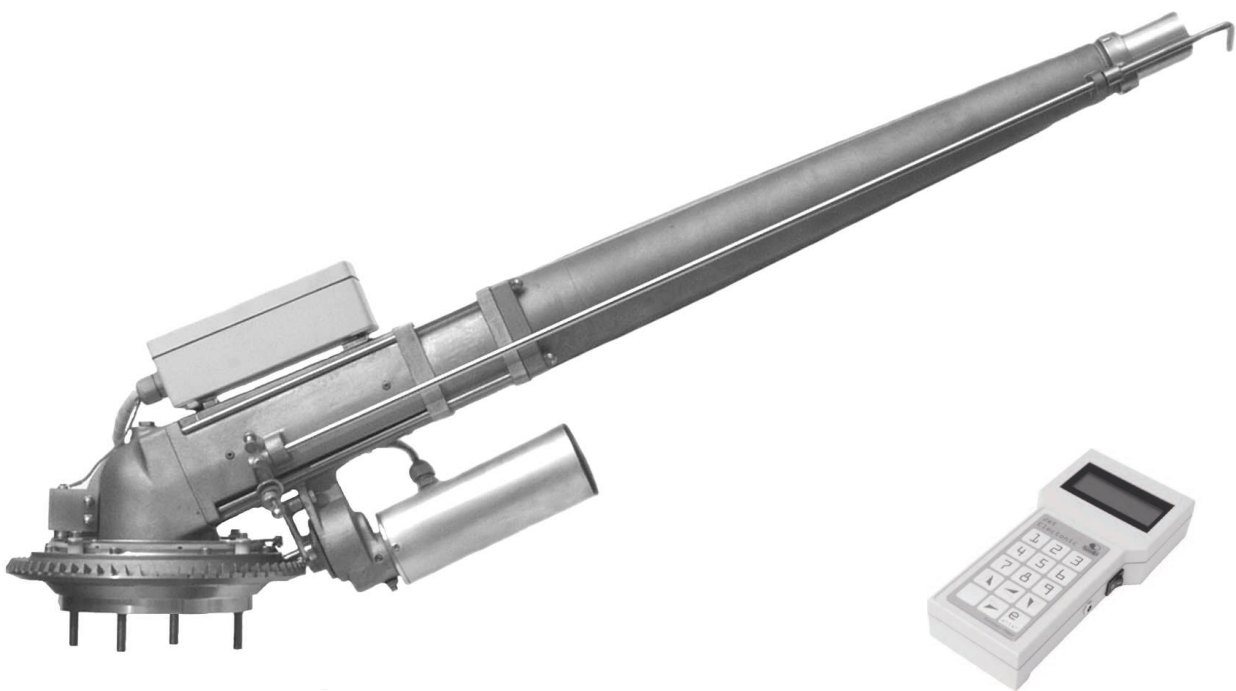


JET 100 PLUS ELECTRONIC

A LUNGHISSIMA GITTATA
Attacco a flangia

VERY LONG THROW
Flange connection



Attacco a flangia Nr. 4
prigionieri M10 su diametro
166 mm.

Flange connector No. 4 clams M10
on diameter 166 mm. 166 mm.

Boccaglio Nozzle Ø mm	Pressione Pressure atm.	Portata Discharge l/min	Gittata Length of jet m
34	6,0 - 6,5 - 7,0	1704 - 1840 - 1907	65 - 67 - 70
36	7,0 - 8,0 - 9,0	2141 - 2289 - 2428	72 - 75 - 78
38	7,0 - 8,0 - 9,0	2390 - 2555 - 2710	74 - 77 - 80
40	8,0 - 9,0 - 10,0	2834 - 3006 - 3171	80 - 83 - 86
42	10,0 - 10,5 - 11,0	3498 - 3586 - 3665	88 - 91 - 94
44	10,5 - 11,0 - 11,5	3939 - 4034 - 4118	95 - 98 - 101

I dati tecnici sono orientativi e non impegnativi
The technical characteristics are indicative and not binding